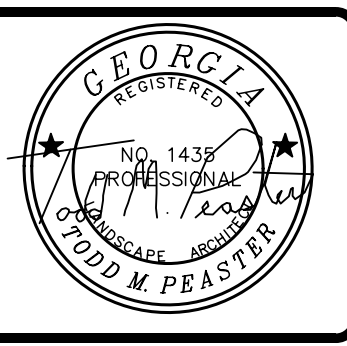


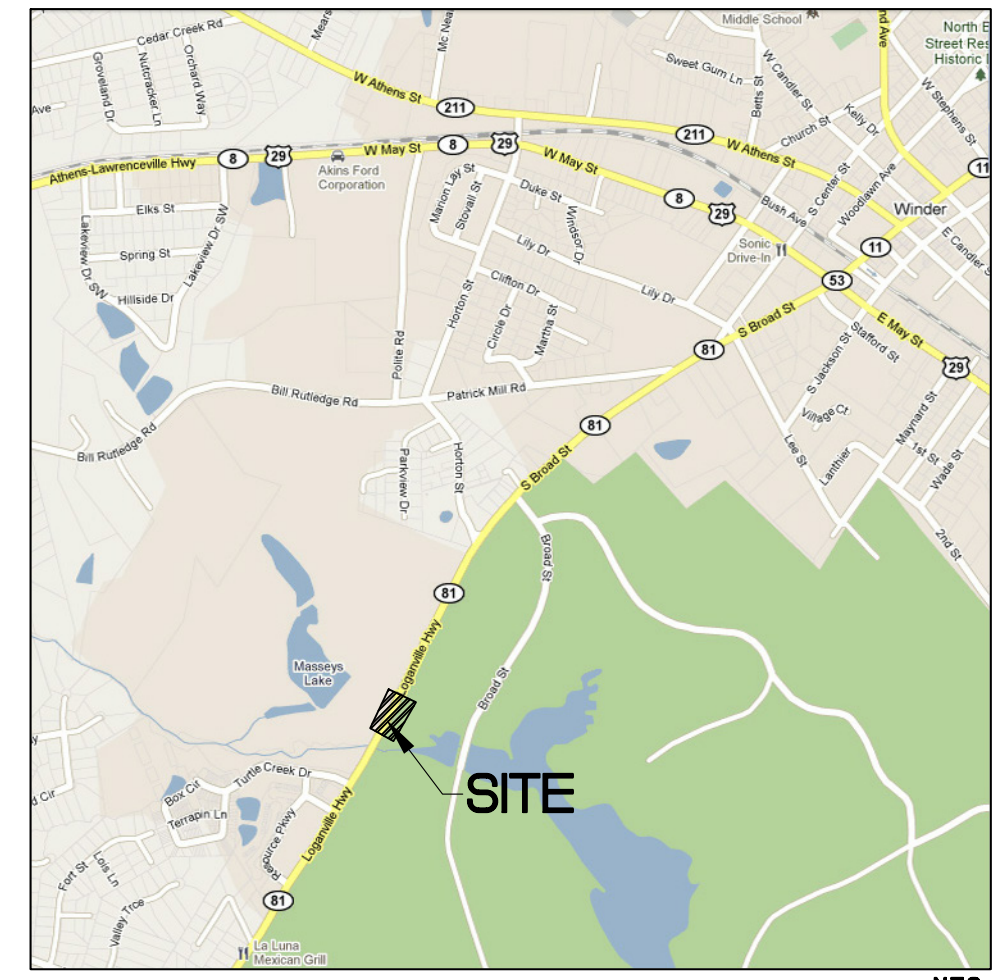
EAGLE INVESTMENT PARTNERS
PARCEL # WNO6 002B

EAGLE INVESTMENT PARTNERS
PARCEL # WNO6 002C

PROJECT CONTACT
CITY OF WINDER
P.O. BOX 566
WINDER, GEORGIA 30680
(770) 426-6800
CONTACT: BARRY EDGAR
PROJECT DESIGNER
GEORGIA CIVIL, INC.
216 N. MAIN ST.
MADISON, GA 30650
(706) 342-1104
WWW.GEORGIA-CIVIL.COM
CONTACT: TODD FEASTER, FLA



OWNER:
CITY OF WINDER
OWNER ADDRESS:
P.O. BOX 566
CITY: WINDER
STATE: GEORGIA, 30680
CONTACT: 678-425-6803



100' RIGHT-OF-WAY
(HIGHWAY 81)

HIGHWAY 81
(45 MPH)

100' RIGHT-OF-WAY
(HIGHWAY 81)

NOT IN CONTRACT:
OWNER IS RESPONSIBLE FOR
COMPLETING THE JACK AND BORE
UNDER HIGHWAY 81. OWNER WILL
INSTALL 1.5" IRRIGATION MAIN INSIDE
4" SCHEDULE 80 PVC SLEEVE.
SLEEVE SHALL EXTEND A MINIMUM
OF 10' BEYOND EDGE OF PAVEMENT
ON EASTERN SIDE AND TO THE
EXISTING WATER MAIN ON WESTERN
SIDE. ALL CONSTRUCTION SHALL BE
IN ACCORDANCE WITH THE CITY OF
WINDER STANDARDS AND
SPECIFICATIONS.

NOT IN CONTRACT
1" Irrigation Water Meter. System
Requires 30 GPM @ 65 PSI. Irrigation
Owner shall Verify Requirements at
Site Before Starting Construction.
Coordinate with Civil Drawings and at
site to determine actual meter location.

4" IR Sleeve NOT IN CONTRACT
SCH 80 PVC

FORT YARGO STATE PARK
DEPT OF NATURAL RESOURCES - PARCEL
WN15 001

NOTE: GDOT UTILITY ENCROACHMENT PERMIT TO BE OBTAINED BY THE CITY OF WINDER UNDER A SEPARATE SUBMITTAL.

IRRIGATION LEGEND

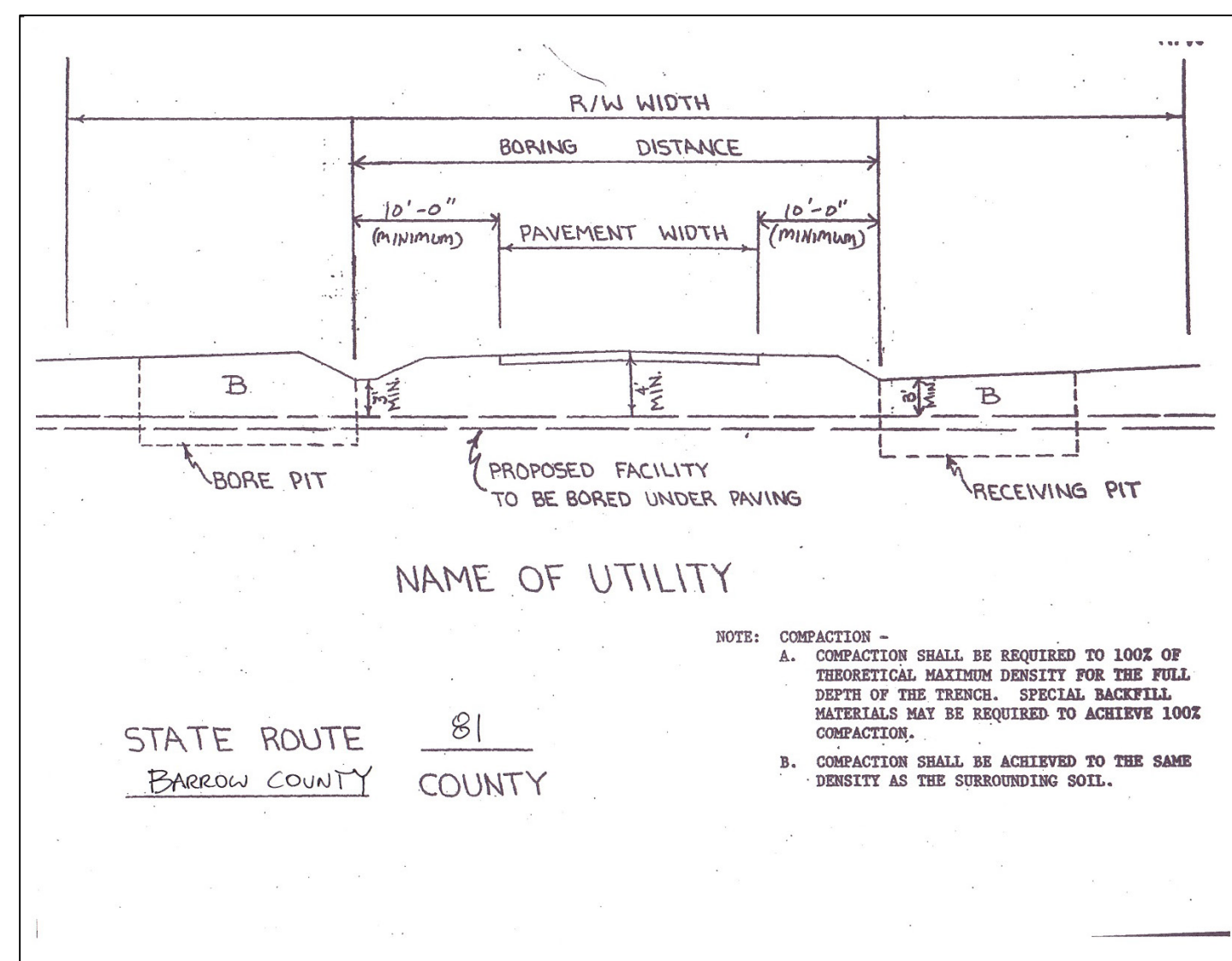
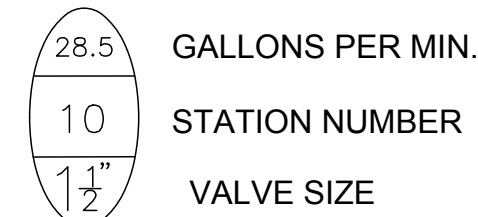
GENERAL NOTES

- 1-1/2" WATER METER, SYSTEM REQUIRES 50 GPM @ 65 PSI. IRRIGATION CONTRACTOR SHALL BE RESPONSIBLE TO VERIFY THE SYSTEM REQUIREMENTS AT SITE BEFORE STARTING CONSTRUCTION.
- MANUAL DRAIN VALVE. SCH 80 PVC BALL VALVE. DETAIL-E.
- WATTS #007-M1-QT-11/2", 1-1/2" DOUBLE CHECK ASSEMBLY BACKFLOW PREVENTER. DETAIL-F.
- WINTERIZATION ASSEMBLY. DETAIL-K.
- RAIN BIRD 150-PEB-PRS PLASTIC ELECTRIC REMOTE CONTROL VALVE, 1 1/2" SIZE, MOUNTED WITH SCH 80 PVC BALL VALVE WITH PRESSURE REGULATION DEVICES. INSTALLED WITH RAIN BIRD TBOS BATTERY-OPERATED CONTROL MODULE AND TBOS SOLENOID. DETAIL-A.
- RAIN BIRD 100-PEB-PRS PLASTIC ELECTRIC REMOTE CONTROL VALVE, 1" SIZE, MOUNTED WITH SCH 80 PVC BALL VALVE WITH PRESSURE REGULATION DEVICES. INSTALLED WITH RAIN BIRD TBOS BATTERY-OPERATED CONTROL MODULE AND TBOS SOLENOID. DETAIL-A.
- NOTE:
ALL VALVE BOXES TO UTILIZE LOCKABLE COVERS.
- INSTALLATION CONTRACTOR SHALL BE RESPONSIBLE TO PROVIDE OWNER WITH (1) RAIN BIRD TBOS FIELD TRANSMITTER (#TBOSFUS) FOR PROGRAMMING OF INDIVIDUAL VALVES. EACH VALVE SHALL BE SUPPLIED WITH ITS OWN TBOS CONTROL MODULE (#TBOSICMUS).
- RAIN BIRD 1812-SAM, 12" HI-POP SHRUB SPRAY SPRINKLER, 15' RADIUS, FULL-4.0 GPM, HALF-2.0 GPM, QUARTER-1.0 GPM, THREE QUARTER-3.0 GPM, 30 PSI. DETAIL-D.
- RAIN BIRD 1812-SAM, 12" HI-POP SHRUB SPRAY SPRINKLER, 12' RADIUS, FULL-2.0 GPM, 30 PSI. DETAIL-D.
- RAIN BIRD 1812-SAM, 12" HI-POP SHRUB SIDE STRIP SPRAY SPRINKLER, 9' X 18' RADIUS, 1.5 GPM, 30 PSI. DETAIL-D.
- RAIN BIRD 1812-SAM, 12" HI-POP SHRUB SIDE STRIP SPRAY SPRINKLER, 4' X 30' RADIUS, 1.5 GPM, 30 PSI. DETAIL-D.
- RAIN BIRD 1812-SAM, 12" HI-POP SHRUB END STRIP SPRAY SPRINKLER, 4' X 15' RADIUS, 1.0 GPM, 30 PSI. DETAIL-D.
- RAIN BIRD 1806-SAM WITH 1404 BUBBLER NOZZLE AND PA-80 ADAPTER. 6" POP-UP TREE BUBBLER, 1.0 GPM, DETAIL-C.
- RAIN BIRD #5 QUICK COUPLING VALVE 1" SIZE. CONTRACTOR TO SUPPLY TWO QCV KEYS AND MATCHING HOSE SWIVELS. DETAIL-B.
- SCH 80 PVC BALL VALVE, SIZED SAME AS MAINLINE, MOUNTED IN CARSON VALVE BOX. DETAIL-J.
- MAINLINE PIPE: 1-1/2" SIZE IF NOT NOTED. CLASS 200 PVC.
- IRRIGATION SLEEVE: CLASS 200 PVC, SIZE NOTED ON PLAN. DETAIL-H.
- LATERAL LINE PIPE: CLASS 200 PVC, SIZE NOTED.

NOTES:

1. ALL SPRINKLERS WILL BE MOUNTED ON (3) MARLEX STREET ELLS WITH A SCHED. 80 NIPPLE SIZE OF SPRINKLER INLET.
2. CONTRACTOR TO UTILIZE A AUTOMATIC DRAIN CHECK VALVE DEVICE WHERE LOW HEAD DRAINAGE MAY OCCUR.
3. ALL WIRE SPLICES TO BE MADE WITH 3M DBY/DBR CONNECTORS.
4. ALL PIPING AND WIRING UNDER HARDTOPS WILL BE IN CLASS 200 PVC PIPE SLEEVE.

TYPICAL VALVE INDICATOR

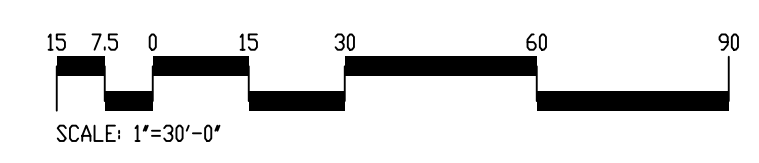


Jack and Bore Detail

- Notes:
1. Irrigation Contractor shall adhere to GDOT right-of-way Irrigation Installation Requirements, such as, but not limited to, wrapping irrigation in metallic tape, installing manual shut-off valves. It shall be responsibility of Irrigation Contractor to verify GDOT Irrigation requirements before submittal of bid. If necessary apply additional GDOT requirements and their cost to bid.
 2. Irrigation mainline shall be installed so that not running directly over top (and parallel) to utilities wherever possible.
 3. Irrigation Installation Contractor shall adjust heads so that no water sprays onto any pavement areas, including sidewalks and the roadway.
 4. All Valve Boxes to utilize lockable Covers. Installation Contractor shall utilize Carson Industries Hardware Kit to lock all valve boxes.
 5. Tracer wires shall be installed above all irrigation piping (mainline and laterals).
 6. A shut-off valve is required at meter location for emergency shut-off purposes.

1. ALL MAINLINES TO HAVE A MINIMUM OF 18" OF COVER. (CLASS 200 PVC PIPE).
2. ALL LATERAL AND SUB-MAIN PIPE TO HAVE A MINIMUM OF 12" OF COVER. (CLASS 200 PVC PIPE).
3. NO ROCKS, BOULDER, OR OTHER EXTRANEIOUS MATERIALS TO BE USED IN BACKFILLING OF TRENCH.
4. ALL PIPE TO BE INSTALLED AS PER MANUFACTURERS' SPECIFICATIONS.
5. ALL THREADED JOINTS TO BE COATED WITH TEFLON TAPE OR LIQUID TEFLON.
6. ALL LINES TO BE THOROUGHLY FLUSHED BEFORE INSTALLATION OF SPRINKLER HEADS.
7. SPRINKLER AND RELATED EQUIPMENT TO BE INSTALLED AS PER DETAILS.
8. ALL ELECTRICAL JOINTS TO BE MADE USING WATERPROOF CONNECTIONS AS SHOWN ON DETAILS.
9. ALL EQUIPMENT NOT SPECIFIED IN THE LEGEND SHALL BE DETERMINED AND FURNISHED BY THE CONTRACTOR.
10. NO ELECTRICAL CONNECTIONS SHALL BE MADE IN THE FIELD EXCEPT AT A VALVE CONTROL BOX OR ANOTHER VALVE BOX SPECIFICALLY FOR CONNECTIONS.
11. ANY DISCREPANCY BETWEEN THIS SHEET AND OTHERS IN THIS SET MUST BE REFERRED TO THE IRRIGATION CONSULTANT BY THE CONTRACTOR FOR CLARIFICATION BEFORE PRECEEDING WITH THE WORK.
12. ALL CONTROL WIRING TO BE SIZED AS PER MANUFACTURER SPECIFICATIONS.
13. CONTRACTOR TO BE RESPONSIBLE FOR PROPER COVERAGE OF AREAS TO BE WATERED. I.E. ADJUST HEADS WITH INSUFFICIENT COVERAGE DUE TO BLOCKAGE BY EXISTING OR PROPOSED SITE FEATURES.
14. CONTRACTOR TO REFER TO LANDSCAPE PLAN TO KEEP SPRINKLER EQUIPMENT AND ACCESSORY MATERIAL FROM INTERFERING WITH PROPER PLANTING, I.E. VERIFY ROOT BALL SIZE FOR PLANTING.
15. CONTRACTOR SHALL PROVIDE EXPANSION COILS AT EACH WIRE CONNECTION IN VALVE BOX (WRAP AROUND 3/4" PIPE 12 TIMES).
16. CONTRACTOR TO UTILIZE APPROPRIATE AUTOMATIC DRAIN DEVICE WHERE LOW HEAD DRAINAGE MAY OCCUR.
17. ALL SPRINKLERS TO BE MOUNTED ON SWING JOINTS - REFER TO DETAILS.
18. CONTRACTOR SHALL UTILIZE VALVE I.D. TAGS ON ALL REMOTE CONTROL VALVES.

29. CONTRACTOR SHALL INSTALL MANUFACTURERS' RECOMMENDED GROUNDING EQUIPMENT FOR POWER SUPPLY AND VALVE OUTPUT WITH (2) 5/8" COPPER CLAD GROUND RODS.
20. CONTRACTOR SHALL INSTALL MANUFACTURERS' RECOMMENDATION ON FAULT GROUND AND LIGHTNING PROTECTION.
21. ALL MATERIAL TO BE SUPPLIED BY CONTRACTOR TO OWNER:
 - A. TWO WRENCHES FOR DISASSEMBLING AND ADJUSTING EACH TYPE OF SPRINKLER HEADS AND VALVE SUPPLIED.
 - B. TWO KEYS FOR EACH OF THE AUTOMATIC CONTROLLERS.
 - C. TWO QUICK COUPLER KEYS WITH MATCHING HOSE SWIVELS.
22. SYSTEM IS DIAGRAMMATIC TO IMPROVE CLARITY. ALL MAINLINE PIPING ELECTRIC VALVES AND WIRING ARE TO BE INSTALLED IN LANDSCAPE AREAS AND WITHIN PROPERTY BOUNDARIES. CONTRACTOR SHALL REFERENCE THE LANDSCAPE PLAN PRIOR TO THE INSTALLATION OF PIPING TO AVOID CONTACT WITH PLANT MATERIALS EXISTING OR NEW.
23. CONTRACTOR TO ADD EXTENSION RISER TO POP-UP HEADS WHEN NEEDED FOR PROPER COVERAGE.
24. CONTRACTOR SHALL INSTALL SPRINKLER EQUIPMENT 12" FROM FOUNDATIONS. ALSO INSTALL SPRINKLERS 4" FROM CURB OR WALKS.
25. PRIOR TO BID IRRIGATION CONTRACTOR SHALL VERIFY RIGHT-OF-WAY AND BACKFLOW REQUIREMENTS. NO LATER THAN FIVE DAYS BEFORE BID SUBMITTALS CONTRACTOR SHALL NOTIFY CONSULTANT OF ANY CHANGES FROM PLANS AND SPECIFICATIONS.
26. IRRIGATION CONTRACTOR SHALL PROVIDE THE OWNER AND LANDSCAPE ARCHITECT WITH A REPRODUCIBLE CROSS MEASURED AS-BUILT DRAWING OF THE INSTALLED IRRIGATION SYSTEM IN AUTOCAD 2004 FORMAT BEFORE FINAL ACCEPTANCE.
27. A 2-YEAR WARRANTY PERIOD SHALL BE PROVIDED FOR SYSTEM AFTER SUBSTANTIAL COMPLETION IS ACCEPTED. START UP AND ADJUSTING OF SYSTEM IN SPRING TIME SHALL BE INCLUDED IN WARRANTY.
28. PRIOR TO BID, CONTRACTOR SHALL VERIFY THAT ALL MATERIALS, INSTALLATION PARAMETERS AND OPERATIONS CONFORM TO ALL APPLICABLE CODES AND ORDINANCES. NO LATER THAN FIVE DAYS BEFORE BID SUBMITTALS CONTRACTOR SHALL NOTIFY IRRIGATION CONSULTANT/DESIGNER OF ANY CHANGES REQUIRED DUE TO CURRENT CODE OR ORDINANCE DISCREPANCIES. IF CONTRACTOR DOES NOT COMPLY TO THIS NOTIFICATION, THE CONTRACTOR SHALL BE RESPONSIBLE FOR ALL NECESSARY INSTALLATION CHANGE AND REDESIGN COSTS FOR NON-COMPLIANCE.



DO NOT DUPLICATE DRAWINGS
WITHOUT PERMISSION

UTILITIES PROTECTION CENTER - 811
CALL FREE
IN METRO ATLANTA
(770) 632-4344
THROUGHOUT GEORGIA
1-800-282-7411
THREE WORKING DAYS BEFORE YOU DIG

CONTRACTOR SHALL BE RESPONSIBLE TO SECURE THE ENTIRE COURSE OF WORK. CONTRACTOR SHALL PAY FOR SAID SERVICES. CONTRACTOR SHALL REPAIR AND/OR REPLACE ANY DAMAGED UTILITY AT NO ADDITIONAL COST TO THE OWNER. CONTRACTOR SHALL NOTIFY SITE DESIGN PROFESSIONAL OF ANY CONFLICTS WITH EXISTING UTILITIES PRIOR TO INSTALLATION OF ANY NEW UTILITIES. SHOULD DISTURBANCE, CONTRACTOR SHALL FIELD VERIFY LOCATION, AND DEPTH OF UTILITIES THAT ARE TO BE SAVED & PROTECTED. SERVICES SHOWN ARE TO ASSIST THE CONTRACTOR IN LOCATING UTILITIES. ITEMS ARE SHOWN SCHEMATICALLY AND NEITHER THE SITE DESIGN PROFESSIONAL OR THE OWNER ASSUMES ANY RESPONSIBILITY FOR VARIANCES IN THEIR ACTUAL LOCATION. THE CONTRACTOR SHALL BE RESPONSIBLE TO REPAIR OR REPLACE AS NECESSARY ANY UTILITIES DAMAGED, WHETHER SHOWN OR NOT. ACTIVITIES SUCH AS ABANDONMENT OR RELOCATION OF THE UTILITIES SHALL BE COORDINATED WITH THE RESPECTIVE UTILITY COMPANY. CONTRACTOR SHALL PROVIDE NECESSARY EROSION CONTROL MEASURES DURING THE DEMOLITION PHASE OF CONSTRUCTION.

CITY BEAUTIFICATION PROJECT
SPECIAL ENCROACHMENT PERMIT APPLICATION
HIGHWAY 81 AT MILEPOST 5.1
WINDER, GEORGIA - BARROW COUNTY

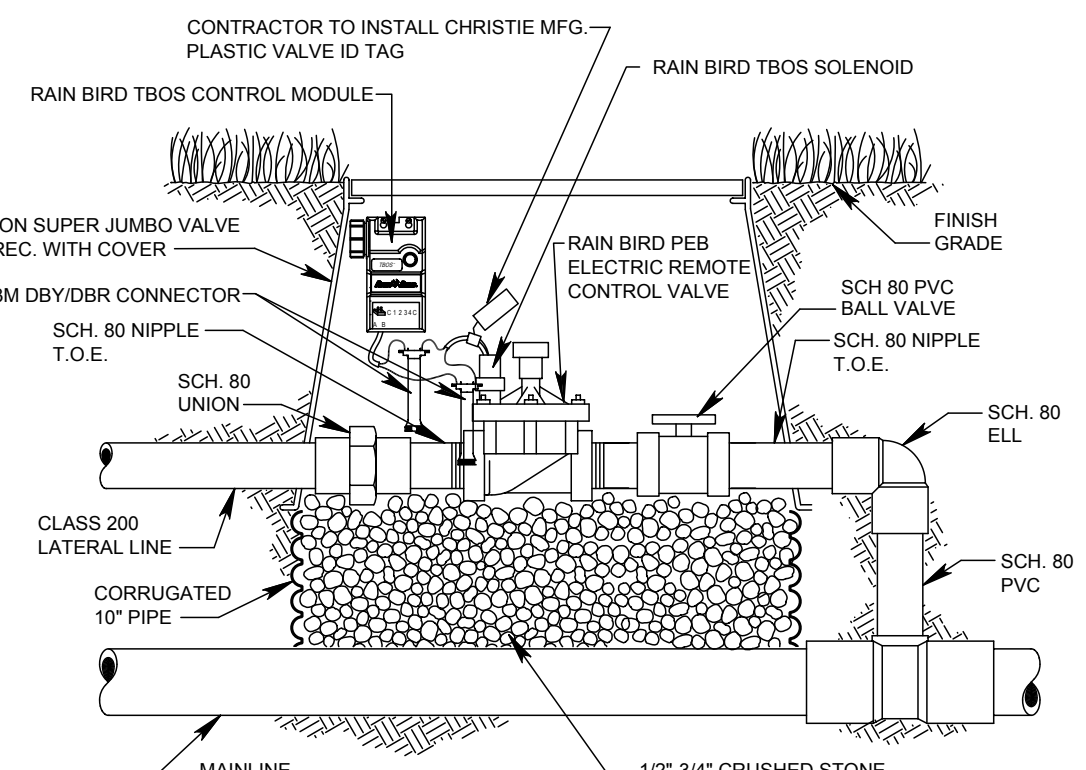
PROJECT NO.	1115
DWG DATE	08/19/2011
DRAWN BY	ICS
CHECKED BY	
DATE	REVISIONS
10-12-11	ADD. GDOT COMMENTS
2-1-12	OUT TO BID

©Copyright 2010 georgia civil, inc. This document and its reproduction are the property of Georgia Civil, Inc. and may not be reproduced, published, or used in whole or in part without the written consent of Georgia Civil, Inc.

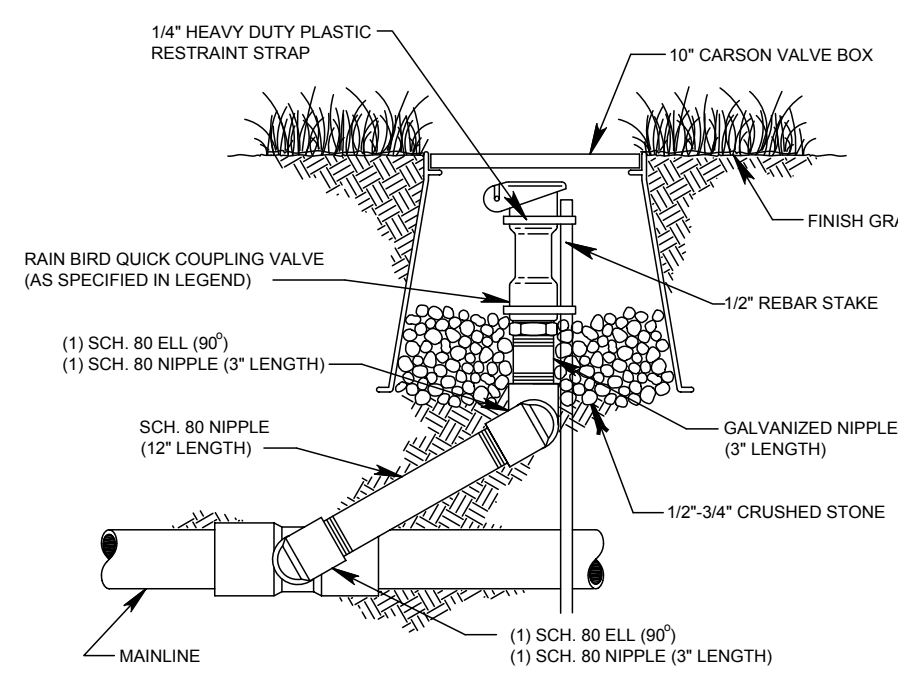
IRRIGATION PLAN

Sheet No.

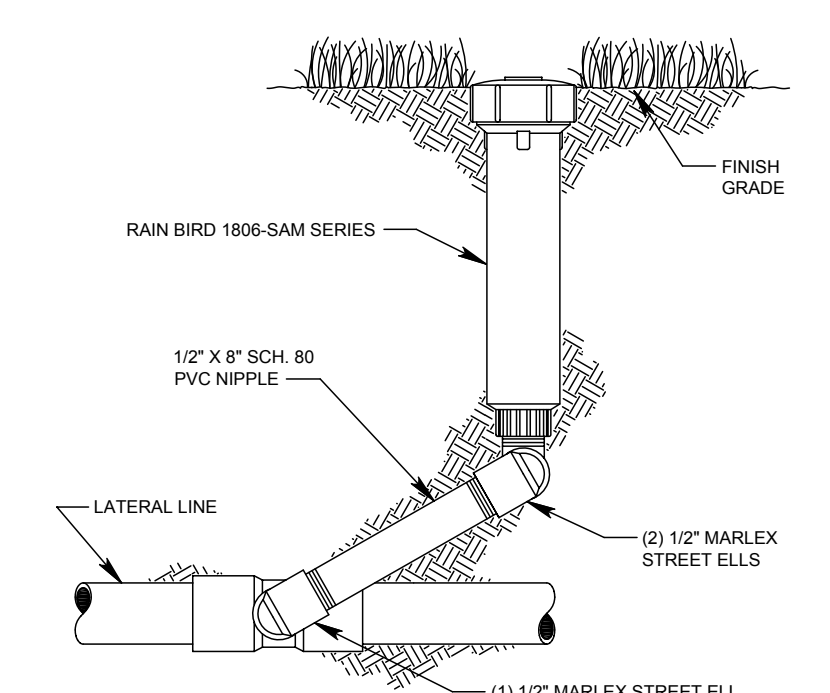
IR1.0



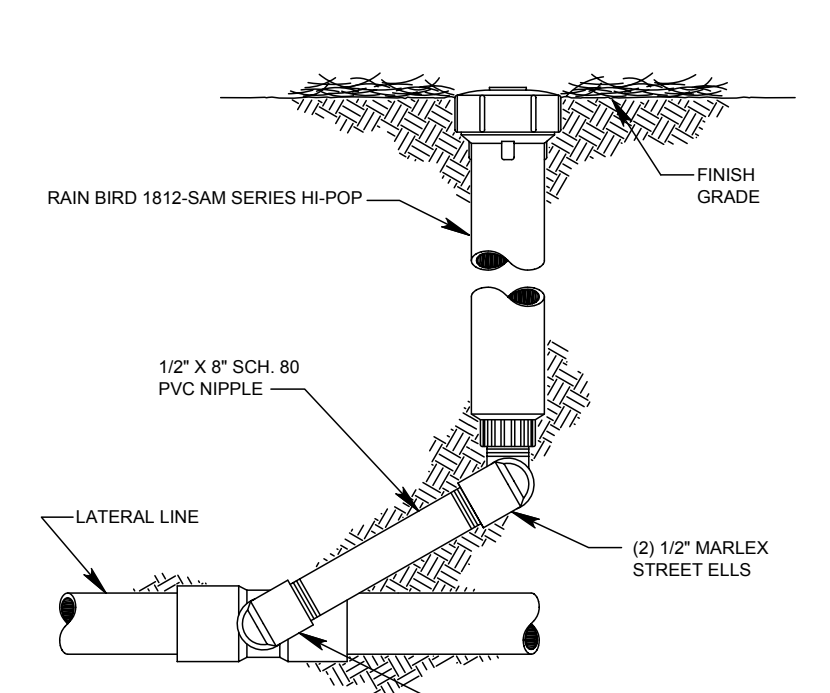
A CONTROL VALVE
NTS



B QUICK COUPLING VALVE
NTS



C TREE BUBBLER
NTS



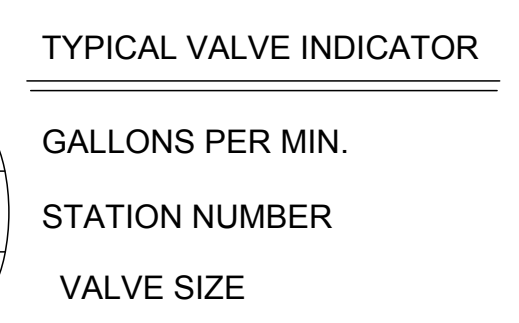
D SHRUB SPRAY
NTS

IRRIGATION LEGEND

- 1-1/2" WATER METER, SYSTEM REQUIRES 50 GPM @ 65 PSI. IRRIGATION CONTRACTOR SHALL BE RESPONSIBLE TO VERIFY THE SYSTEM REQUIREMENTS AT SITE BEFORE STARTING CONSTRUCTION.
- MANUAL DRAIN VALVE. SCH 80 PVC BALL VALVE. DETAIL-E.
- WATTS #007-M1-QT-11/2", 1-1/2" DOUBLE CHECK ASSEMBLY BACKFLOW PREVENTER. DETAIL-F.
- WINTERIZATION ASSEMBLY. DETAIL-K.
- RAIN BIRD 150-PEB-PRS PLASTIC ELECTRIC REMOTE CONTROL VALVE, 1 1/2" SIZE, MOUNTED WITH SCH 80 PVC BALL VALVE WITH PRESSURE REGULATION DEVICES. INSTALLED WITH RAIN BIRD TBOS BATTERY-OPERATED CONTROL MODULE AND TBOS SOLENOID. DETAIL-A.
- RAIN BIRD 100-PEB-PRS PLASTIC ELECTRIC REMOTE CONTROL VALVE, 1" SIZE, MOUNTED WITH SCH 80 PVC BALL VALVE WITH PRESSURE REGULATION DEVICES. INSTALLED WITH RAIN BIRD TBOS BATTERY-OPERATED CONTROL MODULE AND TBOS SOLENOID. DETAIL-A.

- NOTE:
INSTALLATION CONTRACTOR SHALL BE RESPONSIBLE TO PROVIDE OWNER WITH (1) RAIN BIRD TBOS FIELD TRANSMITTER (#TBOSFUS) FOR PROGRAMMING OF INDIVIDUAL VALVES. EACH VALVE SHALL BE SUPPLIED WITH ITS OWN TBOS CONTROL MODULE (#TBOS1CMUS).
- RAIN BIRD 1812-SAM, 12" HI-POP SHRUB SPRAY SPRINKLER, 15' RADIUS, FULL-4.0 GPM, HALF-2.0 GPM, QUARTER-1.0 GPM, THREE QUARTER-3.0 GPM, 30 PSI. DETAIL-D.
 - RAIN BIRD 1812-SAM, 12" HI-POP SHRUB SPRAY SPRINKLER, 12' RADIUS, FULL-2.0 GPM, 30 PSI. DETAIL-D.
 - RAIN BIRD 1812-SAM, 12" HI-POP SHRUB SIDE STRIP SPRAY SPRINKLER, 9' X 18' RADIUS, 1.5 GPM, 30 PSI. DETAIL-D.
 - RAIN BIRD 1812-SAM, 12" HI-POP SHRUB SIDE STRIP SPRAY SPRINKLER, 4' X 30' RADIUS, 1.5 GPM, 30 PSI. DETAIL-D.
 - RAIN BIRD 1812-SAM, 12" HI-POP SHRUB END STRIP SPRAY SPRINKLER, 4' X 15' RADIUS, 1.0 GPM, 30 PSI. DETAIL-D.
 - RAIN BIRD 1806-SAM WITH 1404 BUBBLER NOZZLE AND PA-80 ADAPTER, 6" POP-UP TREE BUBBLER, 1.0 GPM, DETAIL-C.
 - RAIN BIRD #5 QUICK COUPLING VALVE 1" SIZE. CONTRACTOR TO SUPPLY TWO QCV KEYS AND MATCHING HOSE SWIVELS. DETAIL-B.
 - SCH 80 PVC BALL VALVE, SIZED SAME AS MAINLINE, MOUNTED IN CARSON VALVE BOX, DETAIL-J.
- MAINLINE PIPE: 1-1/2" SIZE IF NOT NOTED. CLASS 200 PVC.
- IRRIGATION SLEEVE: CLASS 200 PVC, SIZE NOTED ON PLAN. DETAIL-H.
- LATERAL LINE PIPE: CLASS 200 PVC, SIZE NOTED.

- NOTES:
1. ALL SPRINKLERS WILL BE MOUNTED ON (3) MARLEX STREET ELLS WITH A SCHED. 80 NIPPLE SIZE OF SPRINKLER INLET.
 2. CONTRACTOR TO UTILIZE AN AUTOMATIC DRAIN CHECK VALVE DEVICE WHERE LOW HEAD DRAINAGE MAY OCCUR.
 3. ALL WIRE SPLICES TO BE MADE WITH 3M DBY/DBR CONNECTORS.
 4. ALL PIPING AND WIRING UNDER HARDTOPS WILL BE IN CLASS 200 PVC PIPE SLEEVE.

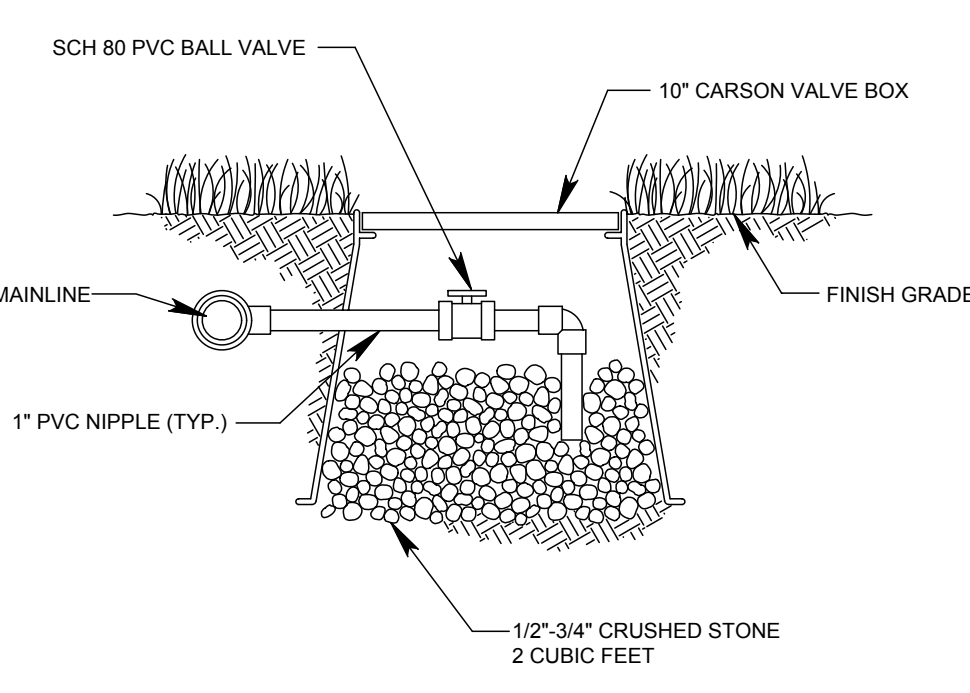


GENERAL NOTES

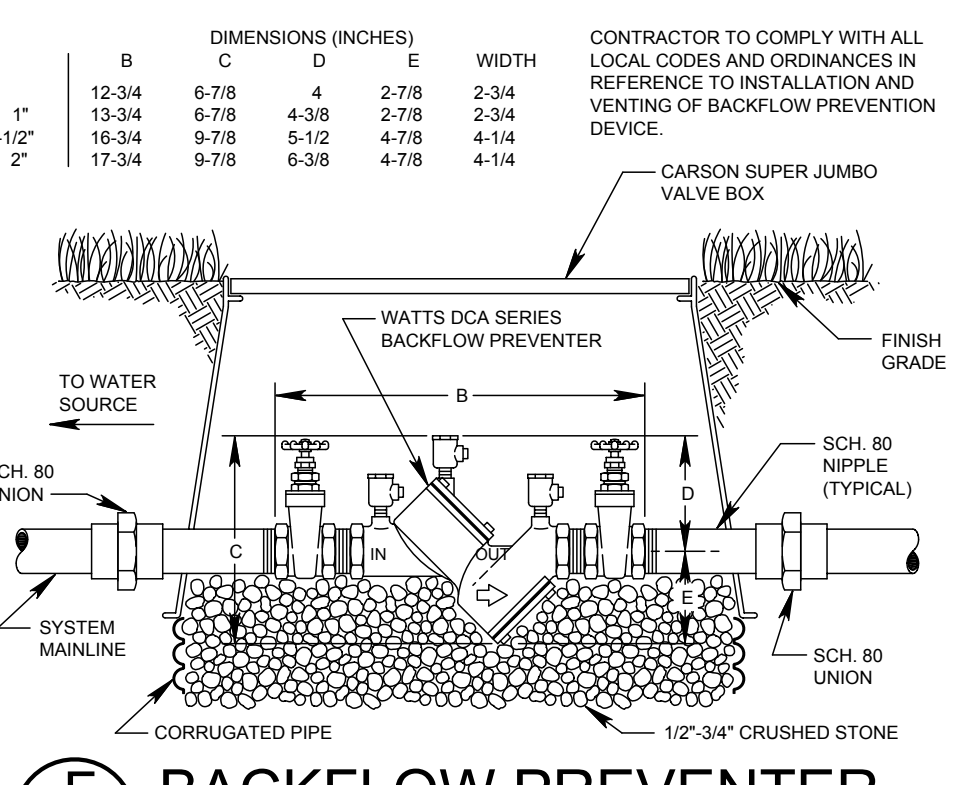
1. ALL MAINLINES TO HAVE A MINIMUM OF 18" OF COVER. (CLASS 200 PVC PIPE).
2. ALL LATERAL AND SUB-MAIN PIPE TO HAVE A MINIMUM OF 12" OF COVER. (CLASS 200 PVC PIPE).
3. NO ROCKS, BOULDER, OR OTHER EXTRANEOUS MATERIALS TO BE USED IN BACKFILLING OF TRENCH.
4. ALL PIPE TO BE INSTALLED AS PER MANUFACTURERS' SPECIFICATIONS.
5. ALL THREADED JOINTS TO BE COATED WITH TEFLON TAPE OR LIQUID TEFLON.
6. ALL LINES TO BE THOROUGHLY FLUSHED BEFORE INSTALLATION OF SPRINKLER HEADS.
7. SPRINKLER AND RELATED EQUIPMENT TO BE INSTALLED AS PER DETAILS.
8. ALL ELECTRICAL JOINTS TO BE MADE USING WATERPROOF CONNECTIONS AS SHOWN ON DETAILS.
9. ALL EQUIPMENT NOT SPECIFIED IN THE LEGEND SHALL BE DETERMINED AND FURNISHED BY THE CONTRACTOR.
10. NO ELECTRICAL CONNECTIONS SHALL BE MADE IN THE FIELD EXCEPT AT A VALVE CONTROL BOX OR ANOTHER VALVE BOX SPECIFICALLY FOR CONNECTIONS.
11. ANY DISCREPANCY BETWEEN THIS SHEET AND OTHERS IN THIS SET MUST BE REFERRED TO THE IRRIGATION CONSULTANT BY THE CONTRACTOR FOR CLARIFICATION BEFORE PRECEEDING WITH THE WORK.
12. ALL CONTROL WIRING TO BE SIZED AS PER MANUFACTURER SPECIFICATIONS.
13. CONTRACTOR TO BE RESPONSIBLE FOR PROPER COVERAGE OF AREAS TO BE WATERED, I.E. ADJUST HEADS WITH INSUFFICIENT COVERAGE DUE TO BLOCKAGE BY EXISTING OR PROPOSED SITE FEATURES.
14. CONTRACTOR TO REFER TO LANDSCAPE PLAN TO KEEP SPRINKLER EQUIPMENT AND ACCESSORY MATERIAL FROM INTERFERING WITH PROPER PLANTING, I.E. VERIFY ROOT BALL SIZE FOR PLANTING.
15. CONTRACTOR SHALL PROVIDE EXPANSION COILS AT EACH WIRE CONNECTION IN VALVE BOX (WRAP AROUND 3/4" PIPE 12 TIMES).
16. CONTRACTOR TO UTILIZE APPROPRIATE AUTOMATIC DRAIN DEVICE WHERE LOW HEAD DRAINAGE MAY OCCUR.
17. ALL SPRINKLERS TO BE MOUNTED ON SWING JOINTS - REFER TO DETAILS.
18. CONTRACTOR SHALL UTILIZE VALVE I.D. TAGS ON ALL REMOTE CONTROL VALVES.
19. CONTRACTOR SHALL INSTALL MANUFACTURERS' RECOMMENDED GROUNDING EQUIPMENT FOR POWER SUPPLY AND VALVE OUTPUT WITH (2) 5/8" COPPER CLAD GROUND RODS.
20. CONTRACTOR SHALL INSTALL MANUFACTURERS' RECOMMENDATION ON FAULT GROUND AND LIGHTNING PROTECTION.
21. ALL MATERIAL TO BE SUPPLIED BY CONTRACTOR TO OWNER:
 - A. TWO WRENCHES FOR DISASSEMBLING AND ADJUSTING EACH TYPE OF SPRINKLER HEADS AND VALVE SUPPLIED.
 - B. TWO KEYS FOR EACH OF THE AUTOMATIC CONTROLLERS.
 - C. TWO QUICK COUPLER KEYS WITH MATCHING HOSE SWIVELS.
22. SYSTEM IS DIAGRAMMATIC TO IMPROVE CLARITY. ALL MAINLINE PIPING ELECTRIC VALVES AND WIRING ARE TO BE INSTALLED IN LANDSCAPE AREAS AND WITHIN PROPERTY BOUNDARIES. CONTRACTOR SHALL REFERENCE THE LANDSCAPE PLAN PRIOR TO THE INSTALLATION OF PIPING TO AVOID CONTACT WITH PLANT MATERIALS EXISTING OR NEW.
23. CONTRACTOR TO ADD EXTENSION RISER TO POP-UP HEADS WHEN NEEDED FOR PROPER COVERAGE.
24. CONTRACTOR SHALL INSTALL SPRINKLER EQUIPMENT 12" FROM FOUNDATIONS. ALSO INSTALL SPRINKLERS 4" FROM CURB OR WALKS.
25. PRIOR TO BID, CONTRACTOR SHALL VERIFY RIGHT-OF-WAY AND BACKFLOW REQUIREMENTS. NO LATER THAN FIVE DAYS BEFORE BID SUBMITTALS CONTRACTOR SHALL NOTIFY CONSULTANT OF ANY CHANGES FROM PLANS AND SPECIFICATIONS.
26. IRRIGATION CONTRACTOR SHALL PROVIDE THE OWNER AND LANDSCAPE ARCHITECT WITH A REPRODUCIBLE CROSS MEASURED AS-BUILT DRAWING OF THE INSTALLED IRRIGATION SYSTEM IN AUTOCAD 2004 FORMAT BEFORE FINAL ACCEPTANCE.
27. A 2-YEAR WARRANTY PERIOD SHALL BE PROVIDED FOR SYSTEM AFTER SUBSTANTIAL COMPLETION IS ACCEPTED. START UP AND ADJUSTING OF SYSTEM IN SPRING TIME SHALL BE INCLUDED IN WARRANTY.
28. PRIOR TO BID, CONTRACTOR SHALL VERIFY THAT ALL MATERIALS, INSTALLATION PARAMETERS AND OPERATIONS CONFORM TO ALL APPLICABLE CODES AND ORDINANCES. NO LATER THAN FIVE DAYS BEFORE BID SUBMITTALS CONTRACTOR SHALL NOTIFY CONSULTANT/DESIGNER OF ANY CHANGES REQUIRED DUE TO CURRENT CODE OR ORDINANCE DISCREPANCIES. IF CONTRACTOR DOES NOT COMPLY TO THIS NOTIFICATION, THE CONTRACTOR SHALL BE RESPONSIBLE FOR ALL NECESSARY INSTALLATION CHANGE AND REDESIGN COSTS FOR NON-COMPLIANCE.

DO NOT DUPLICATE DRAWINGS WITHOUT PERMISSION

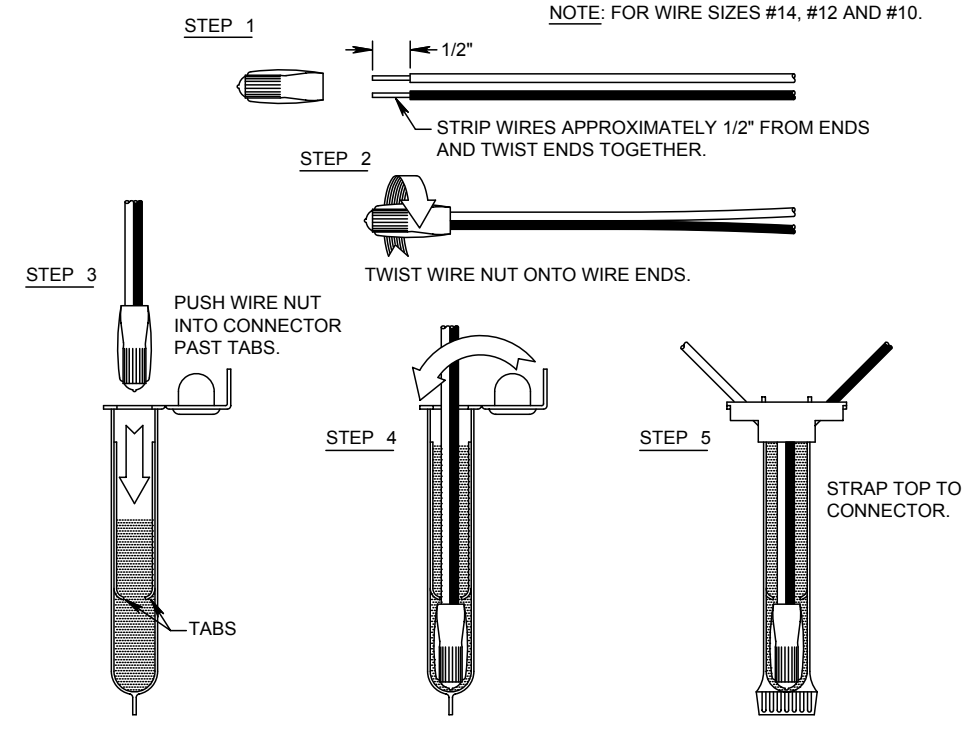
CONTRACTOR SHALL BE RESPONSIBLE TO SECURE THE SERVICES OF A PRIVATE UTILITY LOCATOR FIRM DURING THE ENTIRE COURSE OF WORK. CONTRACTOR SHALL PAY FOR SAID SERVICES. CONTRACTOR SHALL REPAIR AND/OR REPLACE ANY DAMAGED UTILITY AT NO ADDITIONAL COST TO THE OWNER. CONTRACTOR SHALL NOTIFY SITE DESIGN PROFESSIONAL OF ANY CONFLICTS WITH EXISTING UTILITIES PRIOR TO INSTALLATION OF ANY NEW UTILITIES. SHOULD CONTRACTOR BEGIN CONSTRUCTION PRIOR TO UTILITY LOCATOR'S INSPECTION, DAMAGED UTILITIES SHALL BE REPAIRED, REPLACED, OR RELOCATED AT THE CONTRACTOR'S EXPENSE. SERVICES SHOWN ARE TO ASSIST THE CONTRACTOR IN LOCATING UTILITIES. ITEMS ARE SHOWN SCHEMATICALLY AND NEITHER THE SITE DESIGN PROFESSIONAL OR THE OWNER ASSUMES ANY RESPONSIBILITY FOR VARIANCES IN THEIR ACTUAL LOCATION. THE CONTRACTOR SHALL BE RESPONSIBLE TO REPAIR OR REPLACE AS NECESSARY ANY UTILITIES DAMAGED, WHETHER SHOWN OR NOT. ACTIVITIES SUCH AS ABANDONMENT OR RELOCATION OF THE UTILITIES SHALL BE COORDINATED WITH THE RESPECTIVE UTILITY COMPANY. CONTRACTOR SHALL PROVIDE NECESSARY EROSION CONTROL MEASURES DURING THE DEMOLITION PHASE OF CONSTRUCTION.



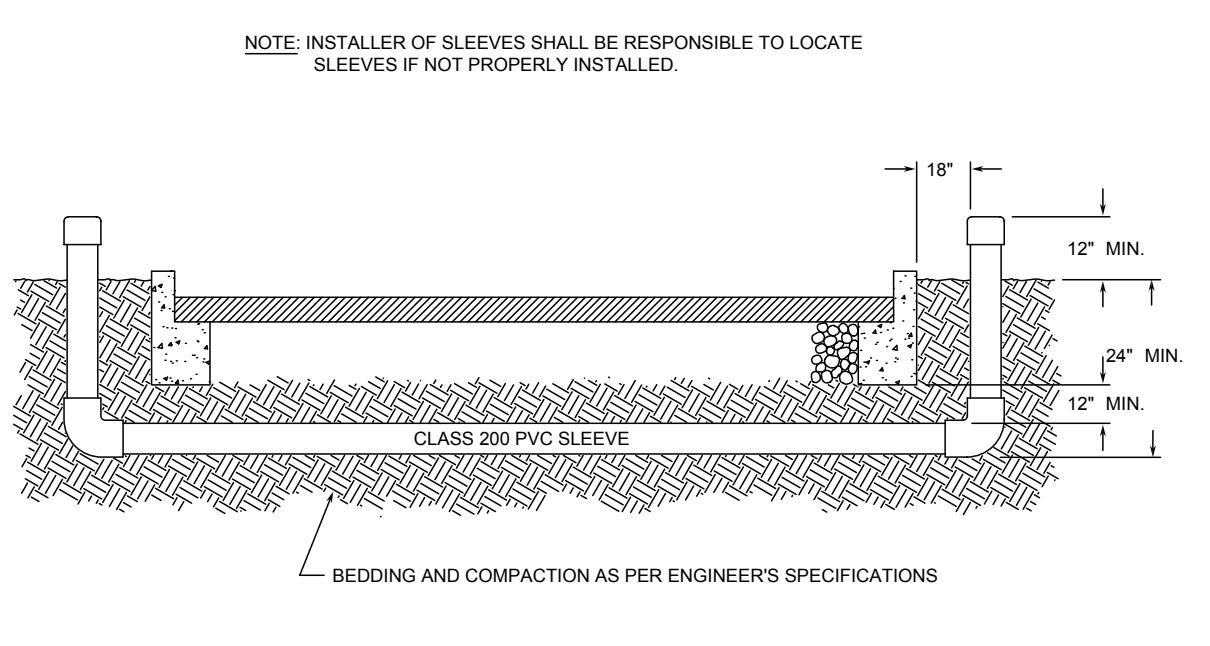
E MANUAL DRAIN VALVE
NTS



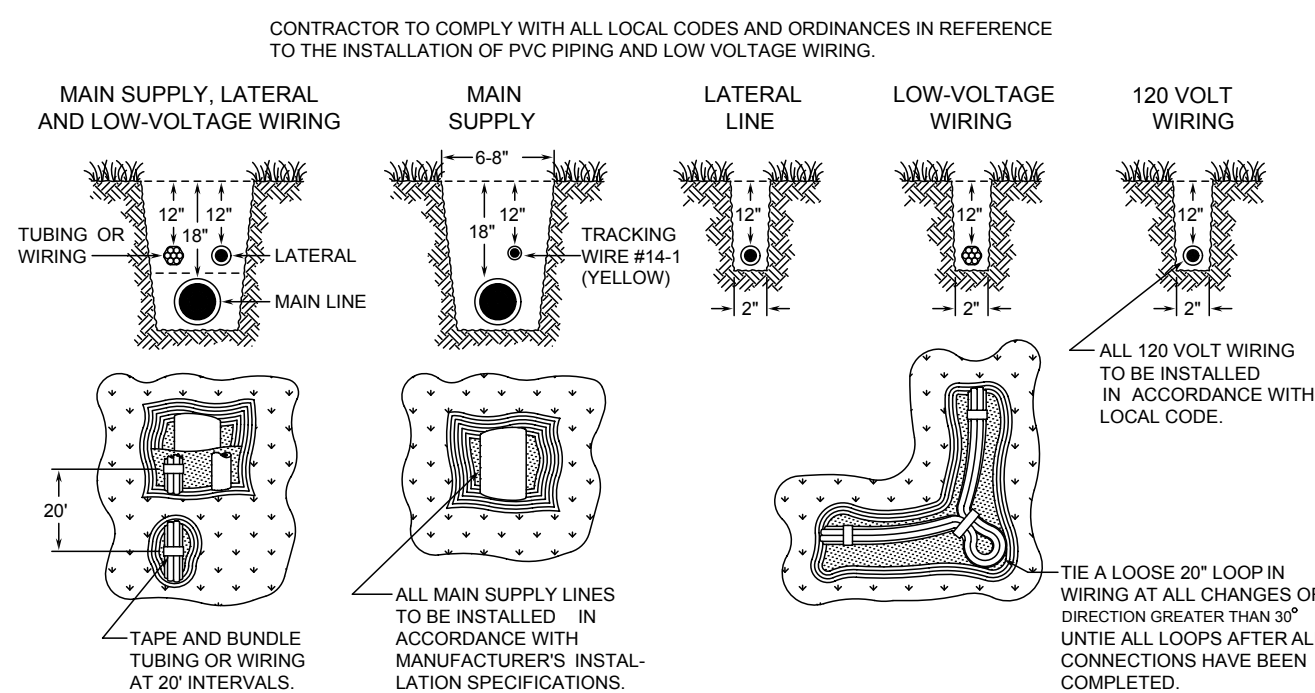
F BACKFLOW PREVENTER
NTS



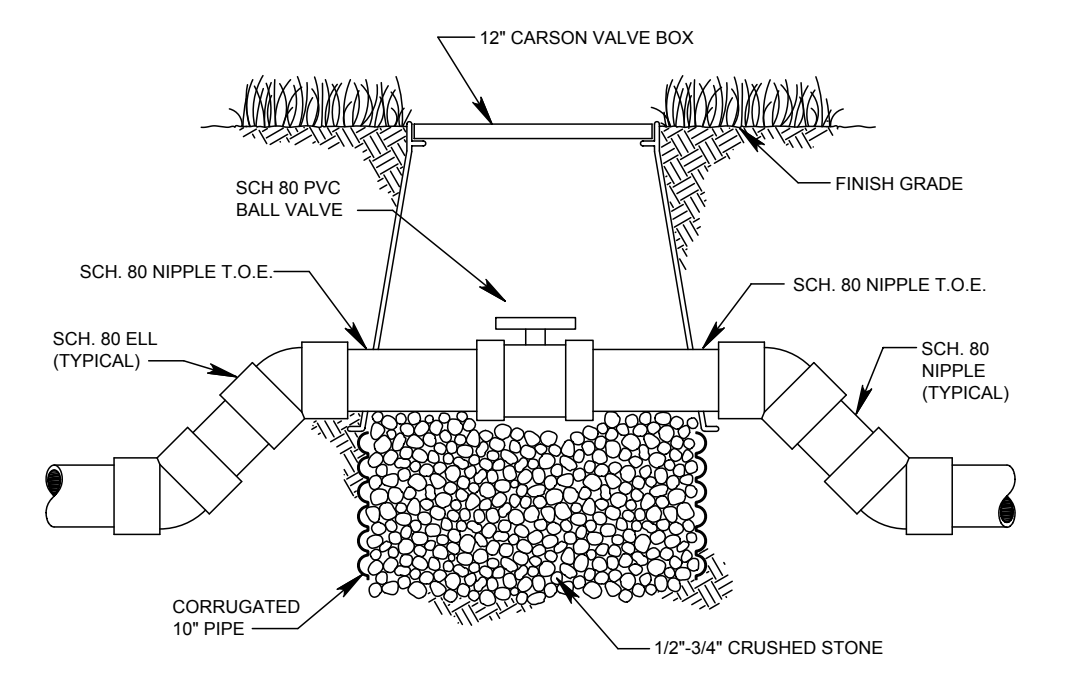
G WIRE CONNECTION 3M-DBY/DBR
NTS



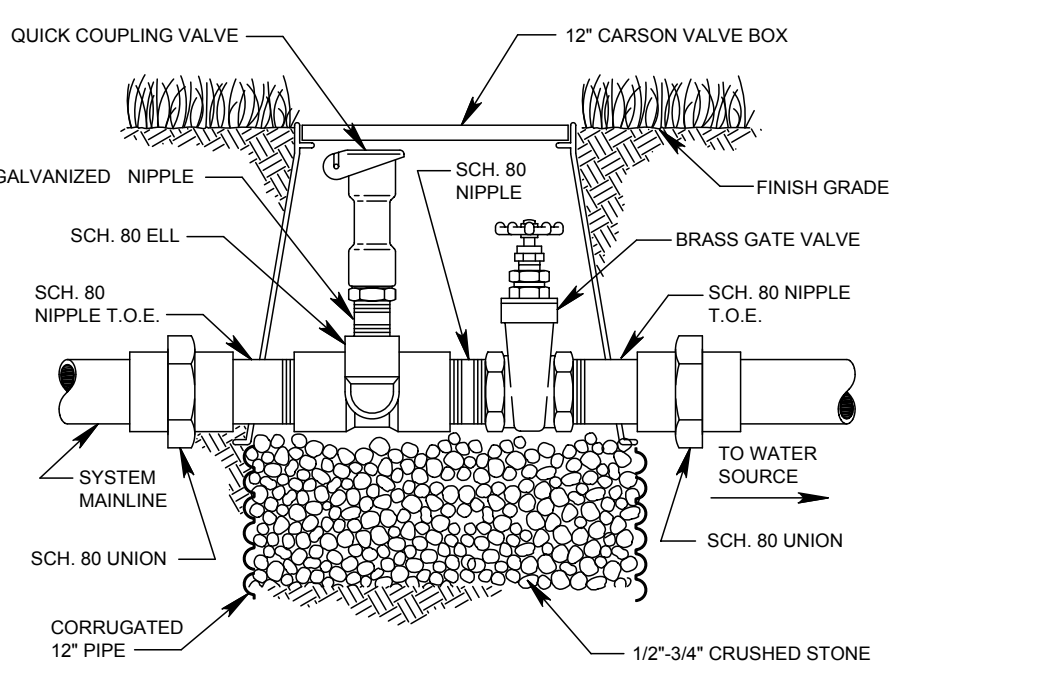
H SLEEVING
NTS



I TRENCHING
NTS

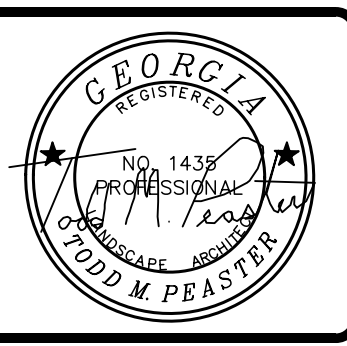


J ISOLATION BALL VALVE
NTS



K WINTERIZATION ASSEMBLY
NTS

georgia civil
CIVIL ENGINEERING
LANDSCAPE ARCHITECTURE
LAND SURVEYING
216 N. Main Street
Madison, GA 30650
P: 706.342.1104
F: 706.342.1105
www.georgiacivil.com



OWNER:
CITY OF WINDER
OWNER ADDRESS:
P.O. BOX 566
CITY: WINDER
STATE: GEORGIA, 30680
CONTACT: 678-425-6803

CITY BEAUTIFICATION PROJECT
SPECIAL ENCROACHMENT PERMIT APPLICATION
HIGHWAY 81 AT MILEPOST 5.1
WINDER, GEORGIA - BARROW COUNTY

PROJECT NO.	1115
DWG DATE	08/19/2011

DRAWN BY: ICS
CHECKED BY:

DATE	REVISIONS
10-12-11	ADD. GDOT COMMENTS
2-1-12	OUT TO BID

©Copyright 2010 georgia civil, inc. This document and its reproduction are the property of Georgia Civil, Inc. and may not be reproduced, published, or used in whole or in part without the written consent of Georgia Civil, Inc.

IRRIGATION DETAILS

Sheet No.
IR1.1